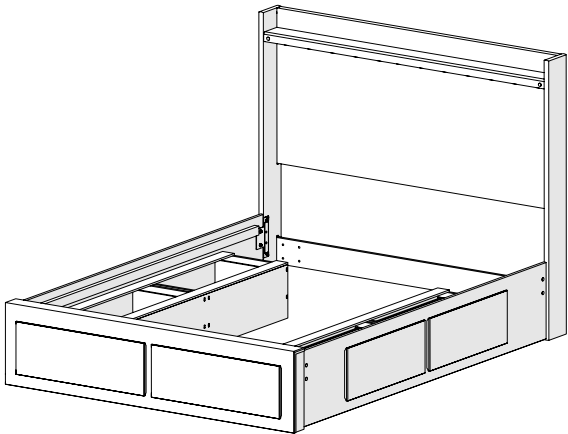


# 153557 Assembly Instructions



## Hardware Components

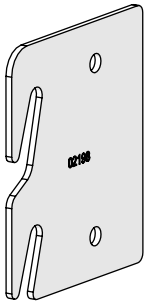
This bag contains small parts that present a choking hazard for children under 3 years of age. These parts are for adult assembly only and should be permanently affixed to the furniture. Any unused parts should be discarded properly.



X8  
1/4-20 Lock Nut

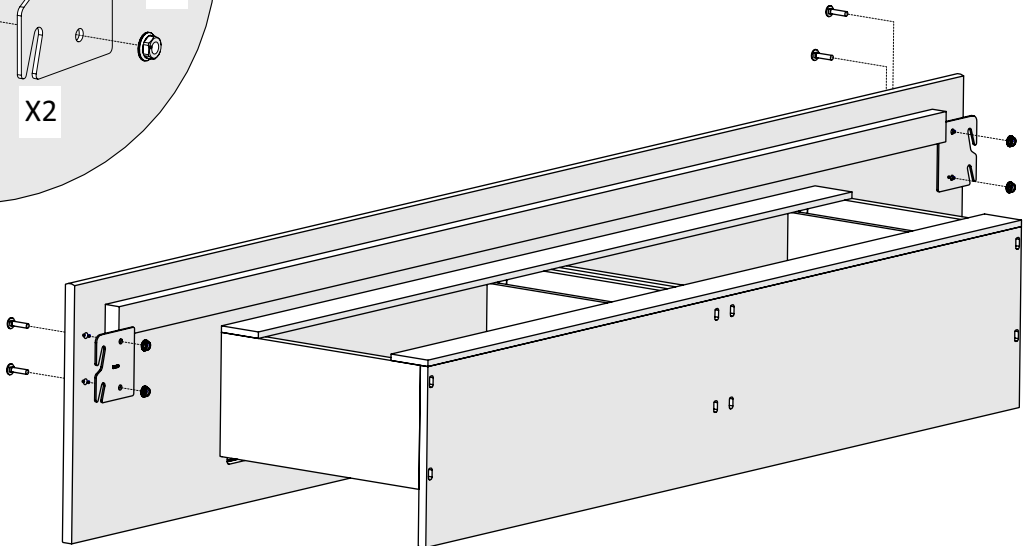
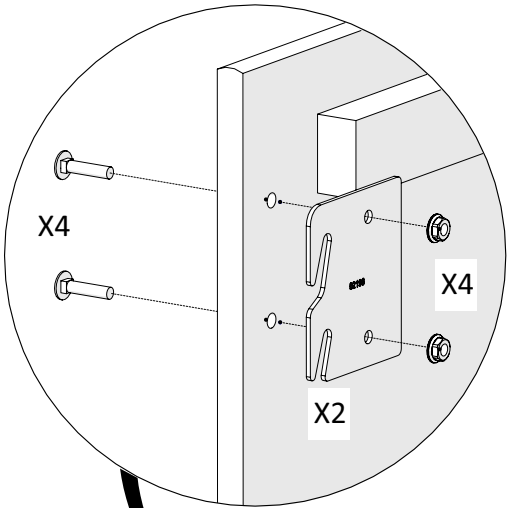


X8  
1/4-20 x 1 1/8"



X4

1.



2.

