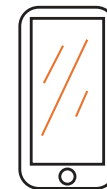


Assembly instructions for:  
**The Mirror**



Scan Code for  
Video Tutorial

 **WATCH NOW**



*Life doesn't come with  
instructions, but this does*

Part # 10020307 (09/27/22)

## HEADS UP

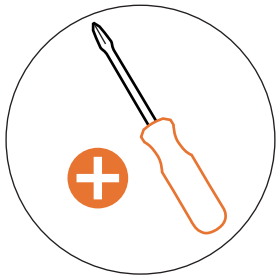


| TIME

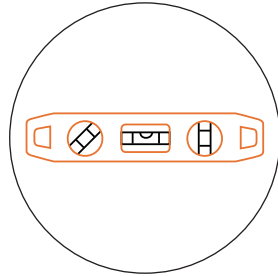


| EFFORT SCALE  
(you've got this)

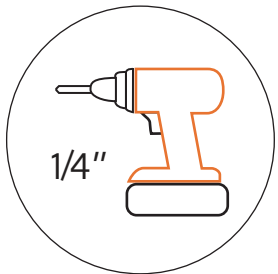
## BUST OUT



| REQUIRED TOOL



| RECOMMENDED  
TOOL

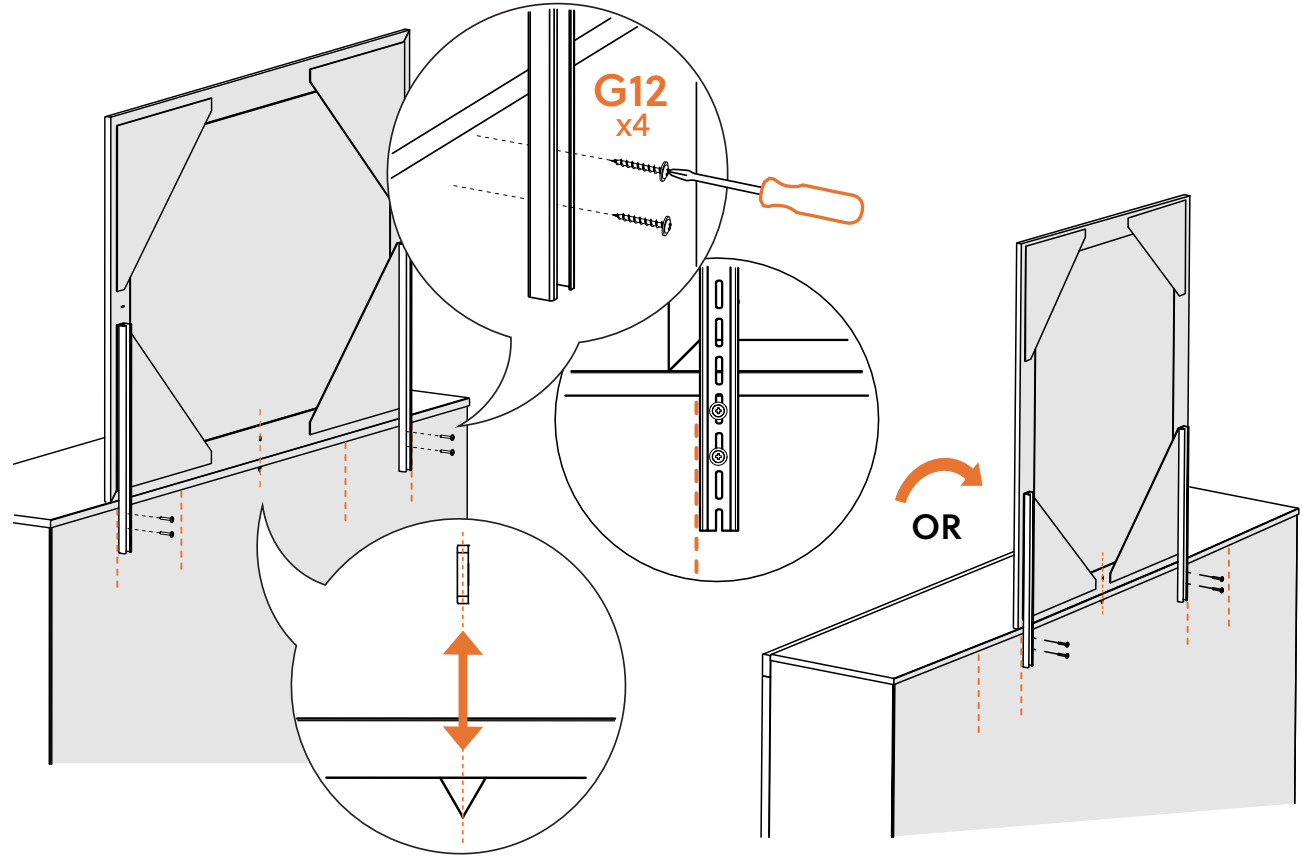
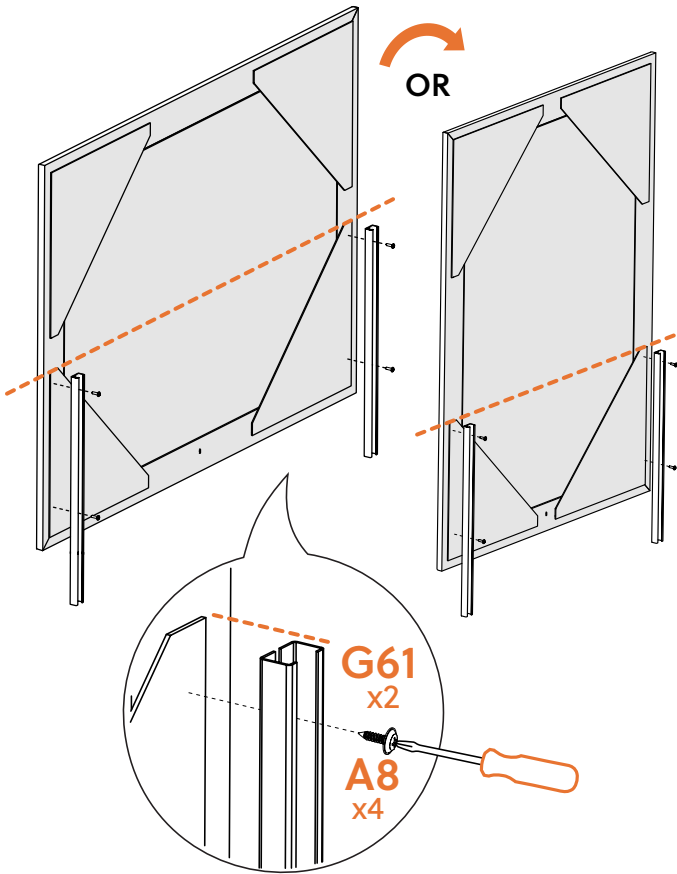
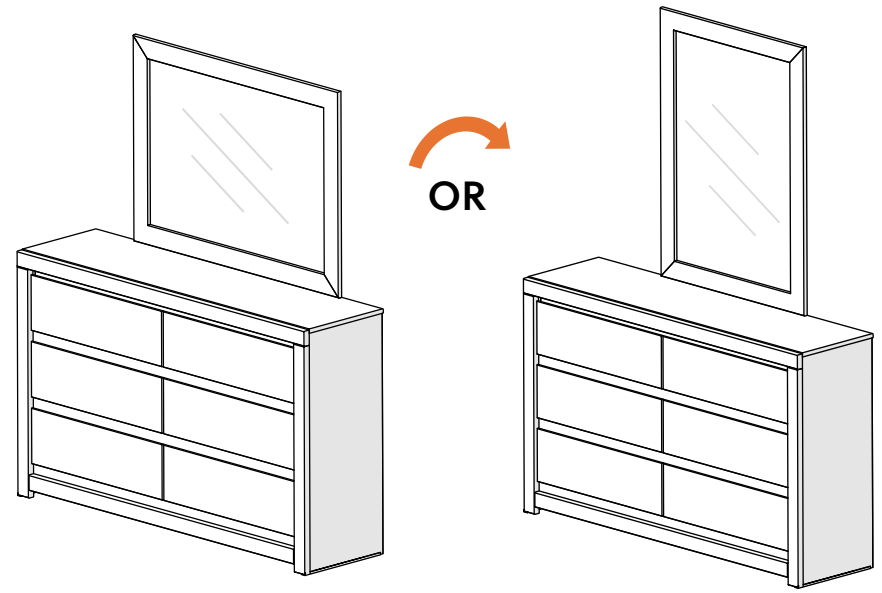


| RECOMMENDED  
TOOL

# HARDWARE



# 1 | OPTION ONE: DRESSER MOUNT



# 2 | OPTION TWO: WALL MOUNT

